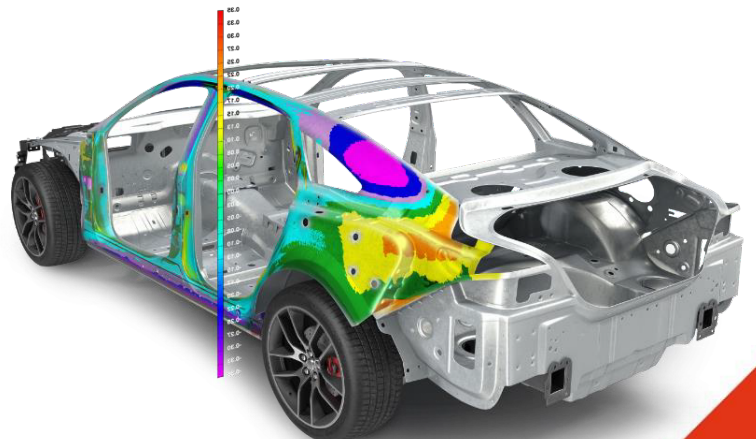


ScanSurf

3D Scanner Laser



PolyWorks|Inspector™ image courtesy of InnovMetric software

1.

PRESENTATION

The new Trimos ScanSurf is our latest solution for scanning measurements and reverse engineering. The perfect companion of your Trimos 7 axes A6 articulated arm.

Light & compact:

The ScanSurf scanner is optimized to be mounted on a Trimos Articulated Arm reducing at most the bulk and the weight on the holding axis. The result is an extremely powerful instrument in your hands and you just don't feel it!

Accurate

Thanks to new software solutions for the sensors calibration, the ScanSurf scanner is the most accurate solution for scanning measurements and reverse engineering.

Scanning quality

High performance scanning proven by our partners in data acquisition software, even under not optimal environmental conditions.

Always ready

With the ScanSurf Scanner there's no need to apply any change from probe to scanner and vice versa. In fact, the probe is mounted on an additional autojoint connector to be always ready for tactile measurements when needed.

Large selection

The scanner is available in RED or BLUE light, with sizes from 25 to 100 mm line length at middle range. A great selection to work on any surface and covers any kind of necessity.

- Compatibility with the A6 models
- Light and compact
- Additional autojoint connection
- Pointer laser
- Accurate
- Large selection of line width
- Compatibility with PolyWorksInspector™ & PolyWorksModelor™



2.

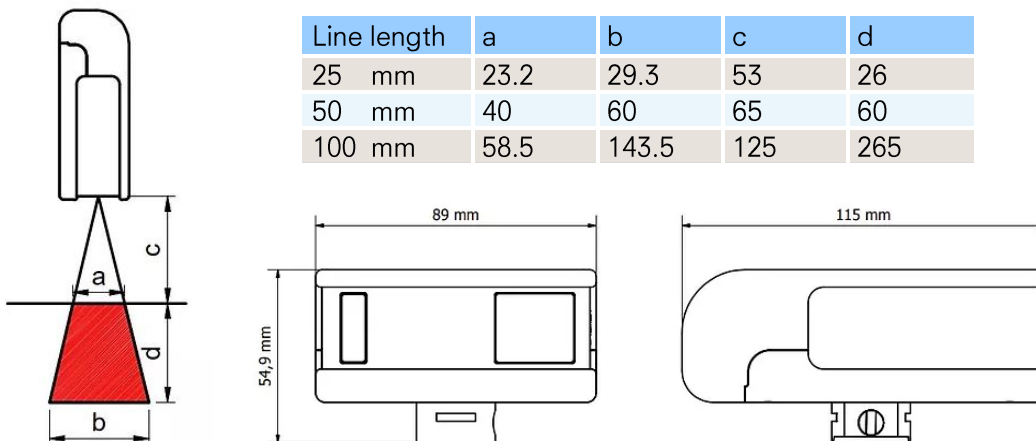
TECHNICAL SPECIFICATIONS

ScanSurf		
Line length	mm	25 / 50 / 100
Laser color		Red line (660 nm) / Blue line (405 nm)
Connection		Renishaw Autojoint
Measuring Arm compatibility		A6
Laser class		2M
Max. points acquisition rate	pt/s	384'000
Max. Points per line (PPL)		1280
Frequency	Hz	Up to 300
Resolution at mid range	μm	25 mm line: 20 μm / 50 mm line: 39 μm / 100 mm line: 78 μm
Precision	μm	25 mm line: 26 μm / 50 mm line: 60 μm / 100 mm line: 100 μm
Protection		IP 50
Operational Temperature	$^{\circ}\text{C}$	+5 \div +40
Stockage Temperature	$^{\circ}\text{C}$	-20 \div +70
Operational Humidity	%	95 without condensation
Dimensions	mm	115 x 89 x 55
Software compatibility		PolyWorksInspector™ & PolyWorksModelor™
CEM requirements		EN 61326-1 :2006-10 DIN EN 55011 :2007-11 (Groupe 1, classe B) EN 61000-6-2 :2006-03

A6 +ScanSurf	E_{Bi} (μm)	E_{MPE} (μm)	With 25 mm scan MPE* (μm)	With 50 mm scan MPE* (μm)	With 100 mm scan MPE* (μm)
A6-1800-A	31	-	37	66	104
A6-2500-A	40	-	43	69	106
A6-3200-A	52	-	52	75	110
A6-4000-A	69	-	62	82	115
A6-5000-A	-	75	79	96	125
A6-7000-A	-	90	94	108	135
A6-9000-A	-	170	170	180	197

*Values reported are expressed with 2σ error. The values are indicative, for Blue and Red line models, and depend on surface quality and properties, surface diffusivity properties and ambient light conditions

ScanSurf scanner laser and light beam dimensions





Trimos S.A.
Av.de Longemalle 5
CH-1020 Renens
T. +41 21 633 01 01
info@trimos.ch
www.trimos.com



Groupe MCC SGIR Maroc

Av187 BD d'Accra lotissement La colline
28820 Mohammédia - Maroc
Gsm: (+212) 6 66 15 82 39
Site web : www.sgirmaroc.com
Email : sgirmaroc1@gmail.com